



Grade:
4.1 Clean

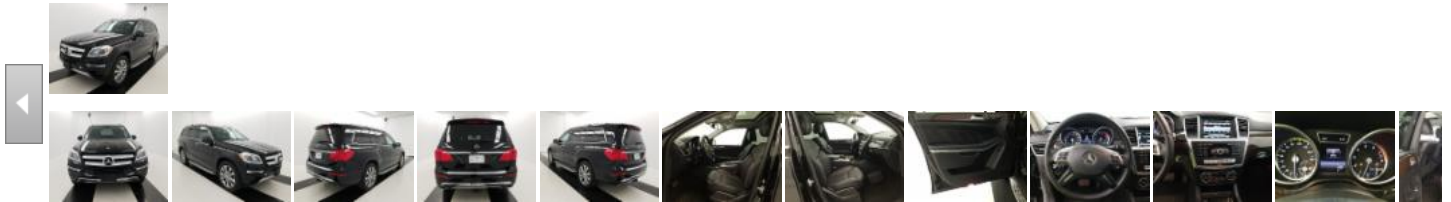
2014 MERCEDES GL450 4MATIC GL450

VIN 4JGDF7CE0EA308461
 Ext Color BLACK- 040
 Work Order 5597148
 Sale Number 5
 CR Date 12/11/2019

Body Style SUV
 Int Color BLK- 101
 Seller MERIDIAN REMARKETING
 Lane Number 7
 InService Date: N/A



[All Images \(19\)](#) [Exterior \(6\)](#) [Interior \(9\)](#) [Misc \(3\)](#) [Damages \(1\)](#)



VEHICLE INFORMATION

HIGH VALUE OPTIONS

- Auxiliary Audio Input
- Back-Up Camera
- Blind Spot Monitor
- Bluetooth Connection
- CD Changer
- Dual Zone A/C
- Heated Mirrors
- Heated Seats-Front(s)
- Leather Seats
- MP3 Compatible Stereo

OPTIONS

- 3rd Row Seat
- 50 State Emissions
- 7 Passenger Seating
- A/C
- Automatic Headlights
- Brake Assist System
- Bucket Seats
- CD Player
- Cargo Shade
- Child Safety Locks
- Climate Control
- Cruise Control
- Daytime Running Lights
- Driver Adjustable Lumbar
- Driver Air Bag
- Driver Illuminated Vanity Mirr
- Driver Vanity Mirror
- Dual Air Bags
- Electronic Stability Control
- Engine Immobilizer
- Front Floor Mats
- Front Head Air Bag
- Front Side Air Bag
- HD Radio
- Keyless Entry
- Knee Air Bag
- Lane Departure Intervention
- Leather Steering Wheel
- Luggage Rack
- Mirror Memory
- Owner's Manual
- Pass-Through Rear Seat
- Passenger Air Bag Sensor
- Passenger Illuminated Vanity M
- Passenger Vanity Mirror
- Power Folding Mirrors
- Power Liftgate
- Power Locks
- Power Mirrors
- Power Tilt/Sliding Sunroof
- Power Windows
- Pwr Seats - Both
- Pwr Steering
- Rain Sensing Wipers
- Rear A/C
- Rear Bench Seat
- Rear Defrost
- Rear Floor Mats
- Rear Head Air Bag
- Rear Side Air Bag
- Rear Spoiler

MECHANICAL

- 8 Cylinder Gas Turbo
- Automatic
- AWD
- Automatic Transmission
- Anti-lock Brakes
- 4.7 L

INTERIOR

- Odometer - Digits Analog -Ok
- Leather - 101
- Int Odor: OK

TIRES AND WHEELS

KEYS

Wheels:	Alloy			
Tire		Tread Depth	Brand	Size
Left Front:		6/32"	PIRELLI	275/50R20
Left Rear:		7/32"	PIRELLI	275/50R20
Right Front:		5/32"	PIRELLI	275/50R20
Right Rear:		6/32"	PIRELLI	275/50R20
Spare:		N/A	(Mini)	N/A

- Combo Key - 1

OTHER

- Title State: TX
- Title Received Date: 12/17/20

ADDITIONAL INFORMATION

ANNOUNCEMENTS

AS IS,

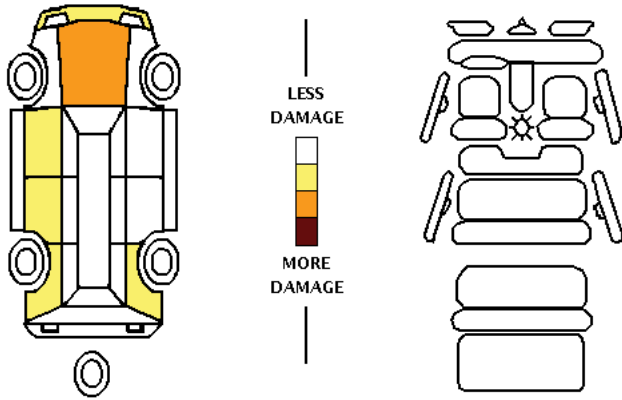
DAMAGE SUMMARY AND ADDITIONAL IMAGES

Open All Damages

Close All Damages



Condition Heat Map



Cosmetic Conventional Paint and Body Not Required-[4 Items]

IMAGE	DESCRIPTION	CONDITION	SEVERITY
	L Qtr Panel	Dent/No Paint Dmg	PDR/1
	LF Door	Dent/No Paint Dmg	PDR/1
	LR Door	Multi Dents/No Paint Dmg	PDR/3
	R Qtr Panel	Dent/No Paint Dmg	PDR/1



Paint and Body Requires Conventional Repair-[2 Items]

IMAGE	DESCRIPTION	CONDITION	SEVERITY
	Front Bumper Cover	Scratch Heavy	2" to 3"
	Hood	Scratch Heavy	GR 12"



Miscellaneous-[1 Items]

IMAGE	DESCRIPTION	CONDITION	SEVERITY
	Warranty Books	Missing	Replacement Required

Repaired

*Process protected under U.S. Patent No. 8,230,362

VIN: 4JGDF7CE0EA308461, Work Order: 5597148